

For reference only. See data sheet for the detailed specifications.

## Technical Specification

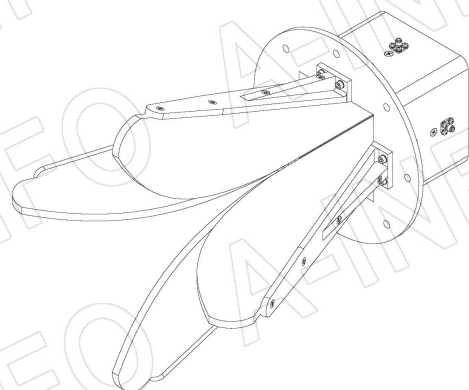
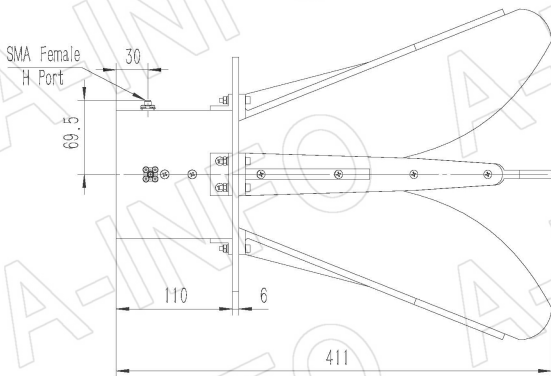
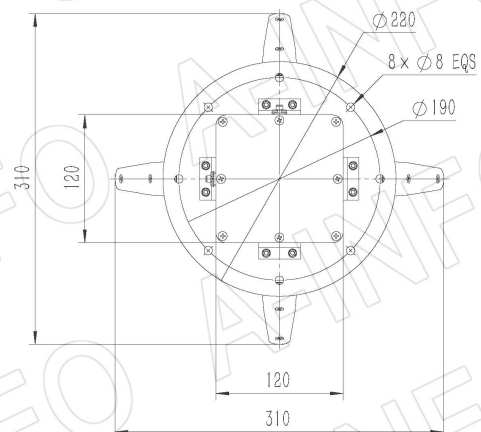
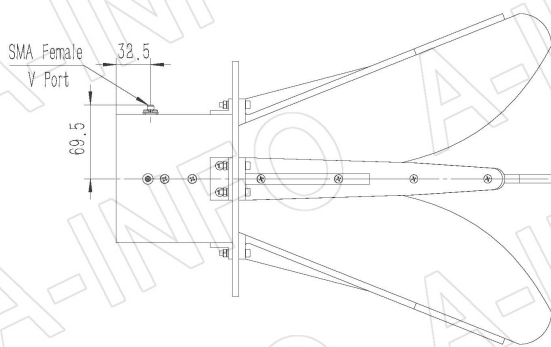


Frequency Range(GHz)	0.7 – 6.0
Gain(dBi)	11 Typ.
Polarization	Dual Linear
3dB Beamwidth(deg)	E Plane: 127 - 16
	H Plane: 155 - 29
Cross Pol. Isolation(dB)	30 Typ. ; 18 Min.
Port to Port Isolation(dB)	35 Typ. ; 20 Min.
VSWR	2.0:1 Typ.
Connector	SMA-Female or N-Female
Power Handling(W CW)	SMA-Female: 50 Max.
	N-Female: 50 Max.
Material	Al
Finish	Chemical Conversion Coating and Nickel Plated
Size(mm)	310 x 310 x 411
Net Weight(Kg)	5.0 Around

## Outline Drawing (Size: mm)

### SMA-Female Output (P/N: LB-OSJ-0760-SF)

For N-Female output outline drawing, please contact A-INFO.



**AINFO Inc.**

China(Beijing):  
China(Chengdu):  
USA :

Tel: (+86) 10-6266-7326,  
Tel: (+86) 28-8519-2786,  
Tel: (+1) 949-639-9688,

(+86) 10-6266-7327  
(+86) 28-8519-3044  
(+1) 949-639-9608

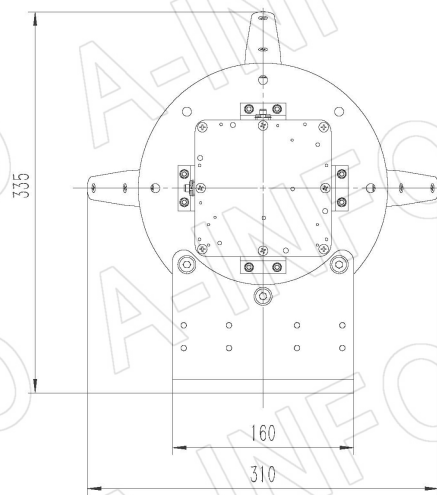
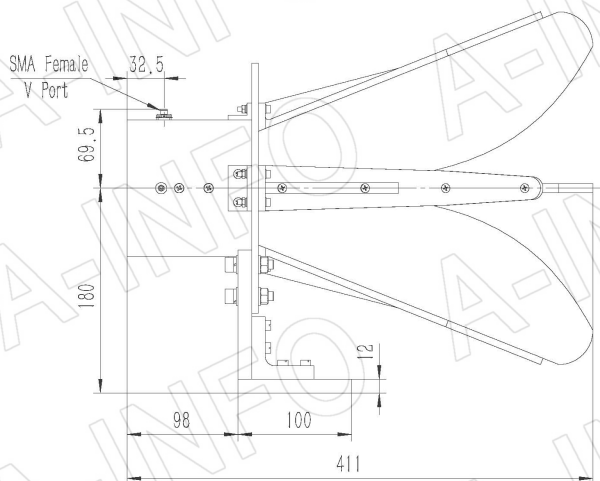
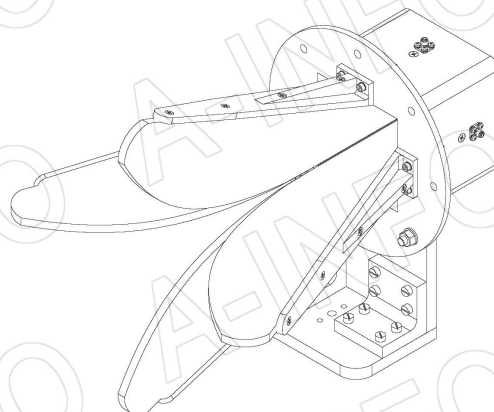
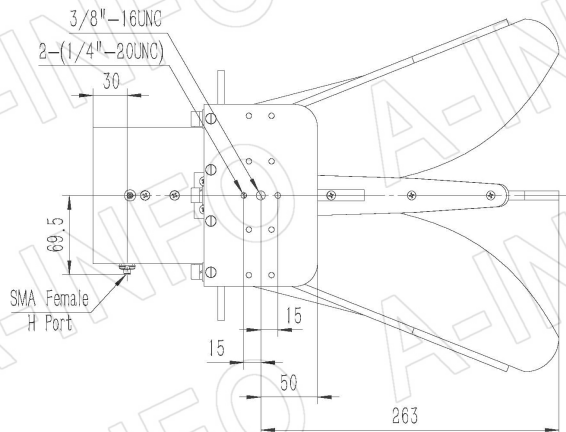
Page 1 of 9

Fax: (+86) 10-6266-7379  
Fax: (+86) 28-8519-3068  
Fax: (+1) 949-639-9670

Website: [www.ainfoinc.com](http://www.ainfoinc.com)  
Email: [sales@ainfoinc.com](mailto:sales@ainfoinc.com)

## SMA-Female Output with L Type Mounting Bracket (Option, P/N: LB-OSJ-0760-L)

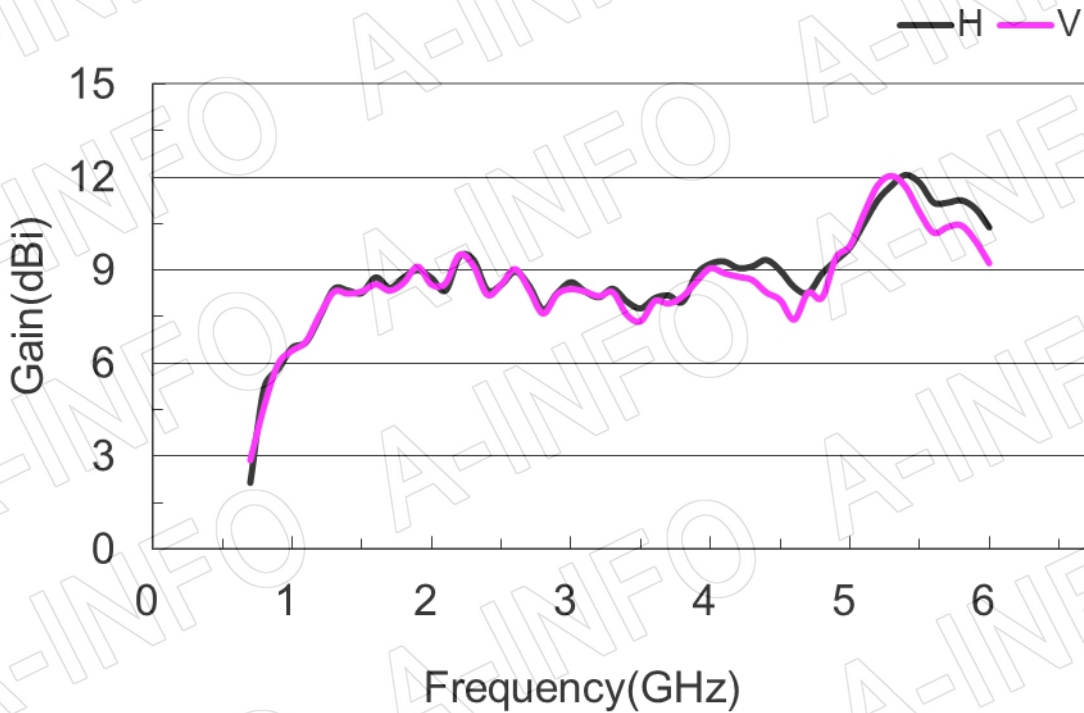
For N-Female output outline drawing, please contact A-INFO.



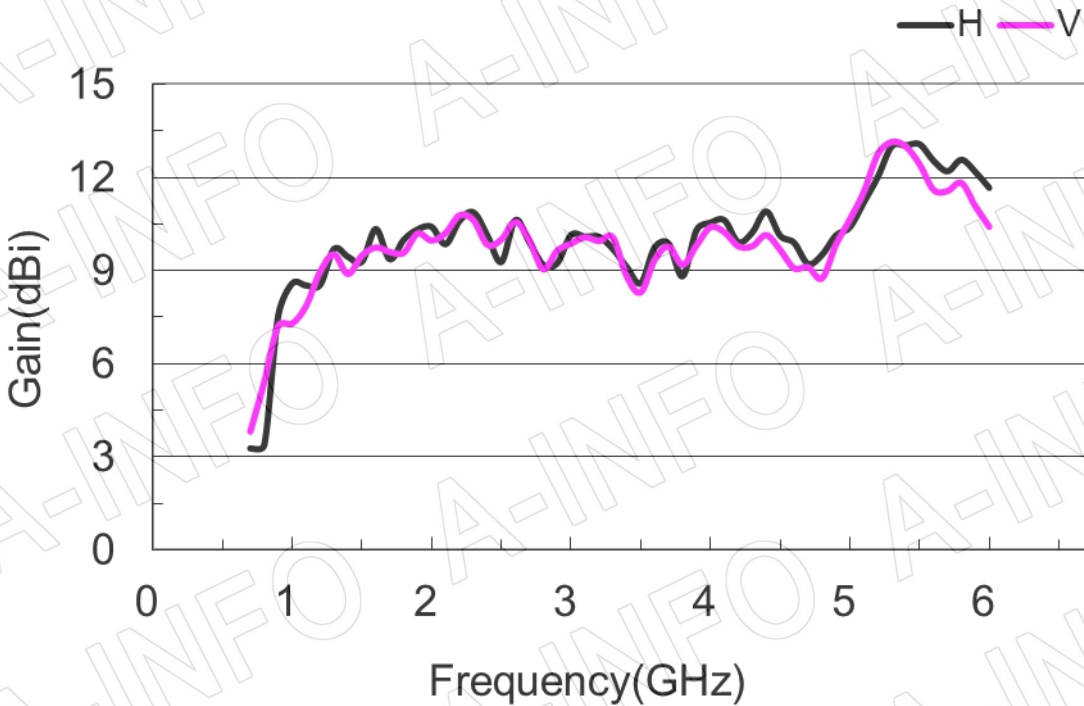
## Test Results

### 1. Gain

Gain at 1 m

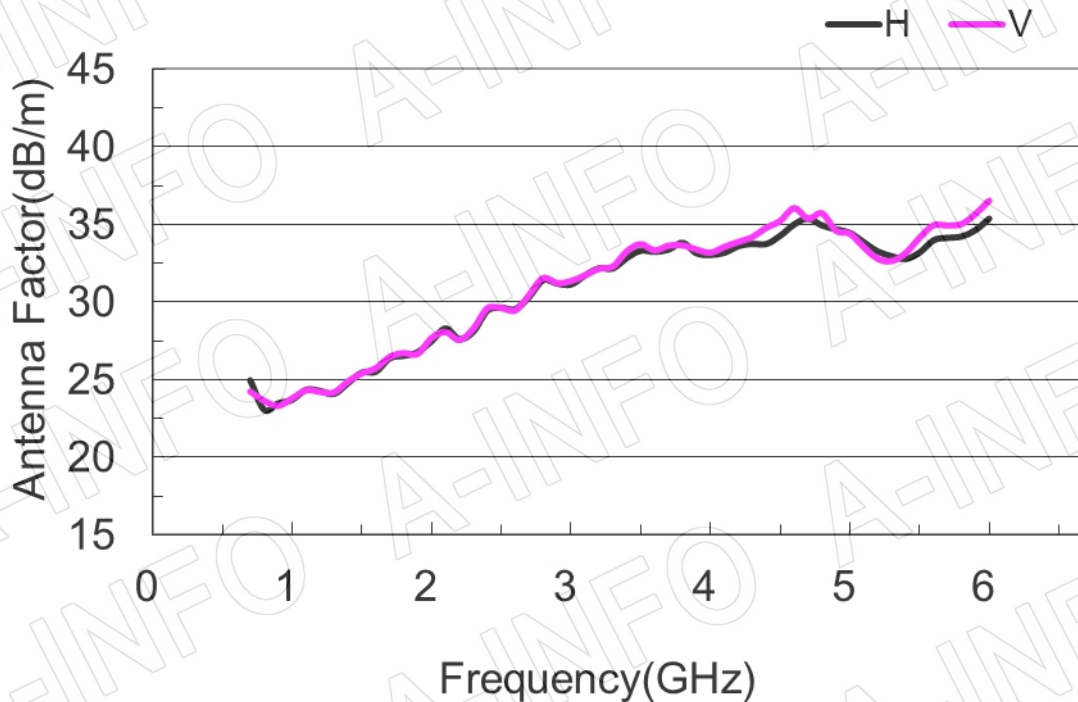


Gain at 3 m

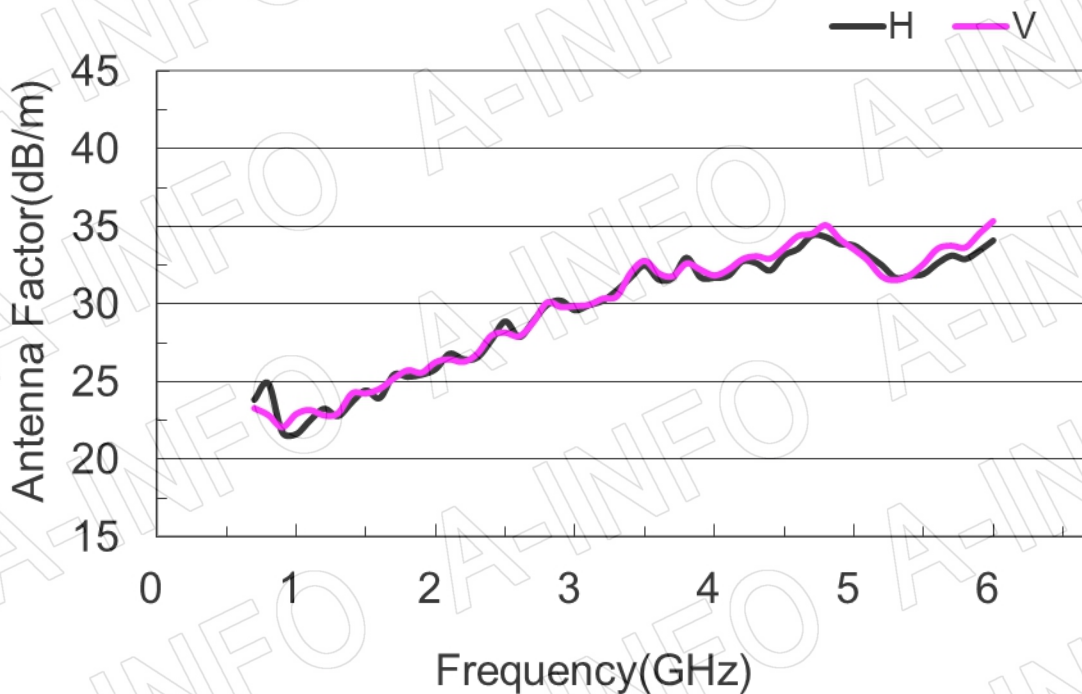


## 2. Antenna Factor

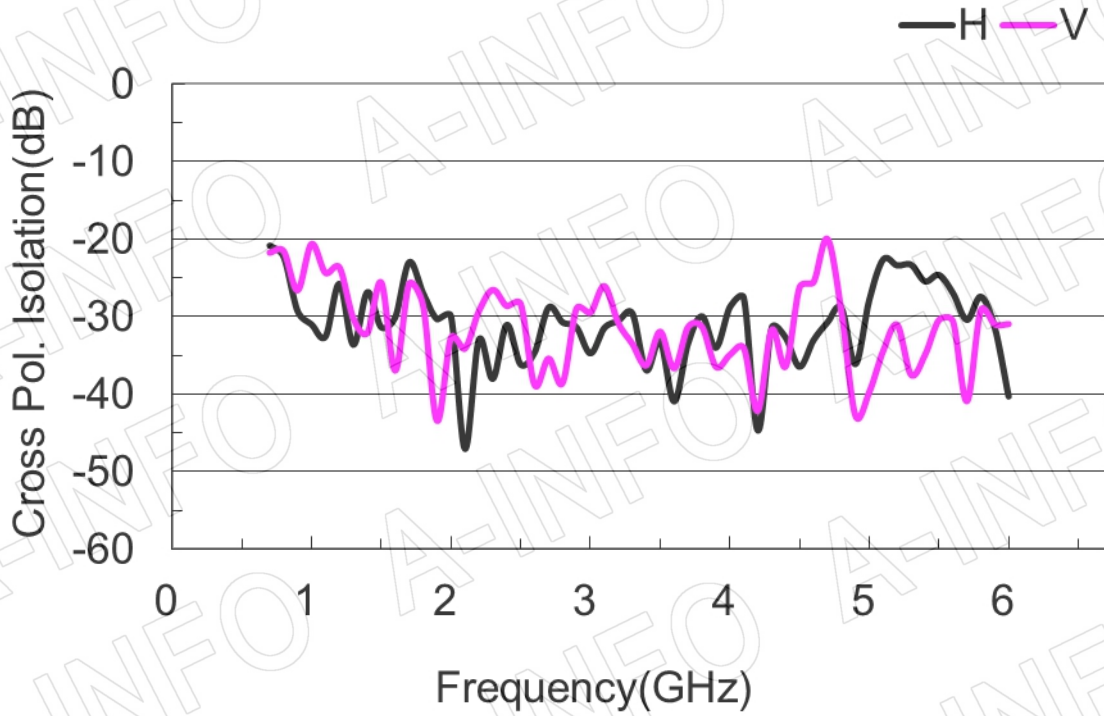
AF at 1 m



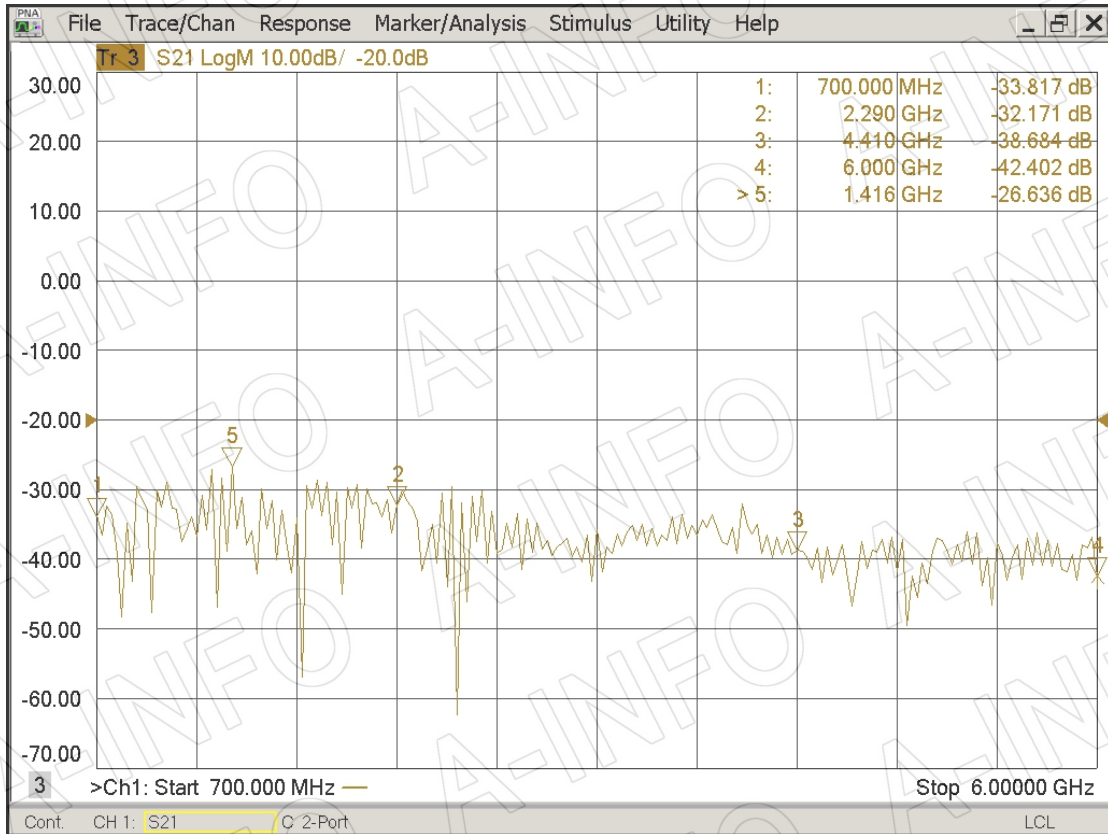
AF at 3 m



### 3. Cross Polarization Isolation

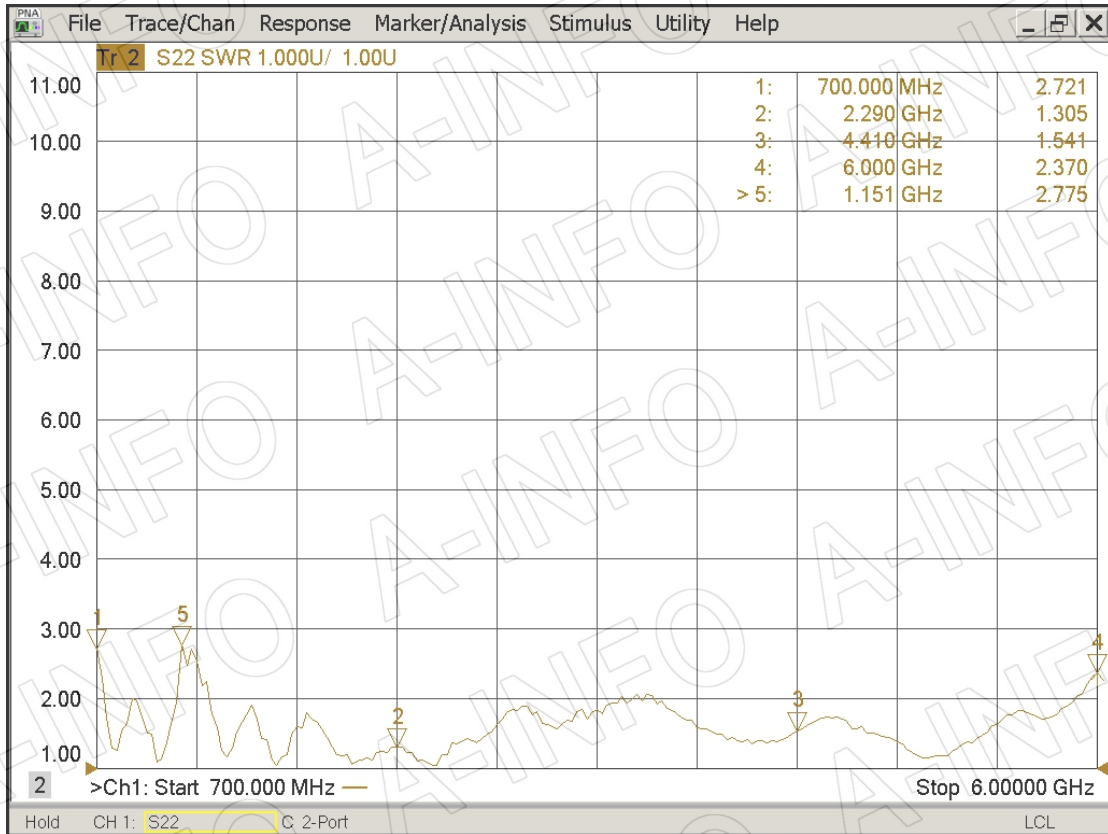


### 4. Port to Port Isolation

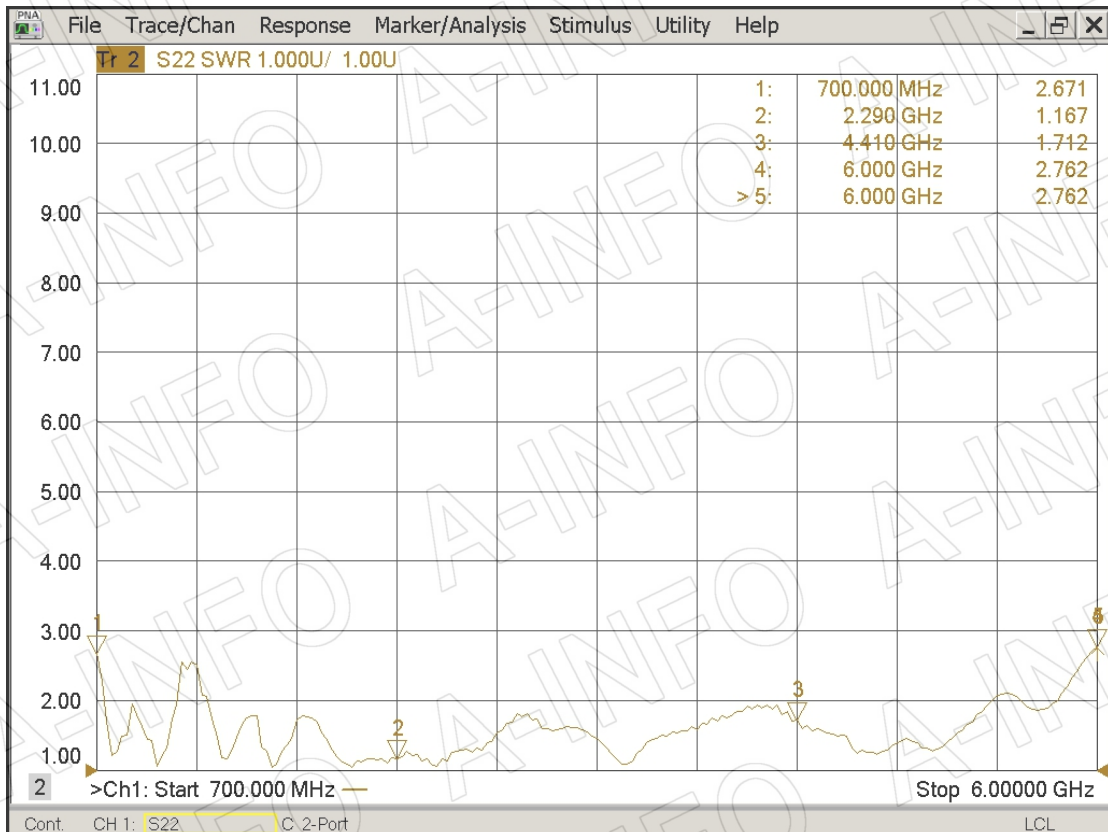


## 5. VSWR

### Port-H



### Port-V



## 6. Pattern

